



12MP 30FPS USB 3.0

Mono & Color Cameras

VC-BU1203MC

Key Features

- USB3.0 Interface
- 12MP 30FPS
- 4072(H) x3046(V) Camera Resolution
- 0.566" Sony IMX226 CMOS Sensors 1.85 μ m x 1.85 μ m
- Scanning Area 12.88mm X12.88mm
- Progressive, Rolling Shutter Global Start
- Mono 8bit and Color Bayer 8bit
- C-mount
- Dimension 40mm (w)X 40mm (H) X35mm (D)

Applications

- Pick and Place machines.
- High speed inspection and Automation.
- Wire bonding and Fluid dispensing
- AOI, SPI and 2D 3D inspection
- X-Y Measurements and X-ray inspections



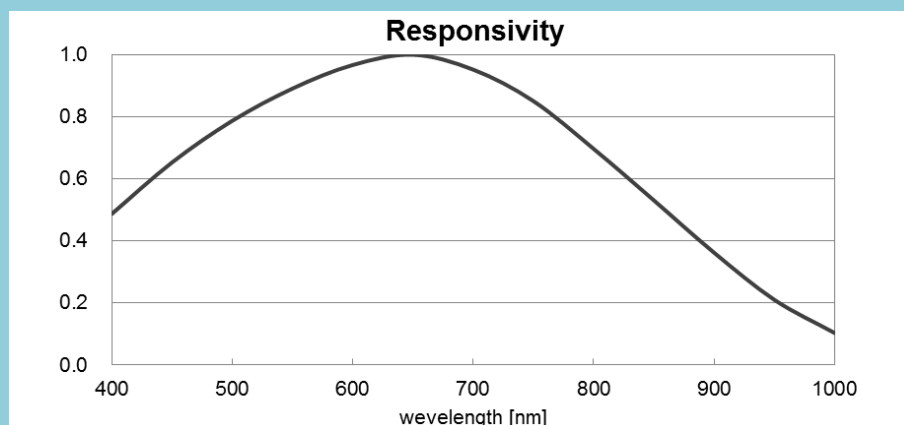
USB3.0 Interface



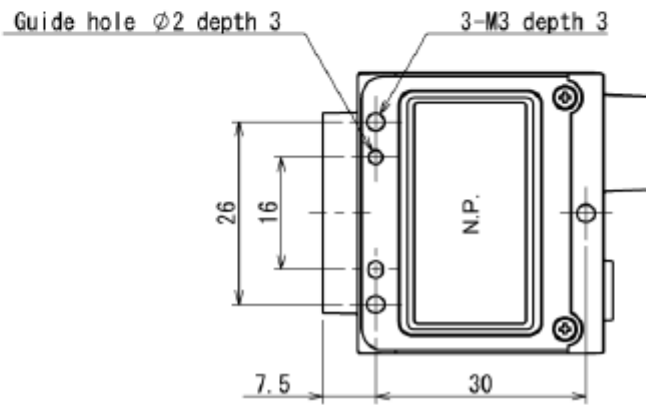
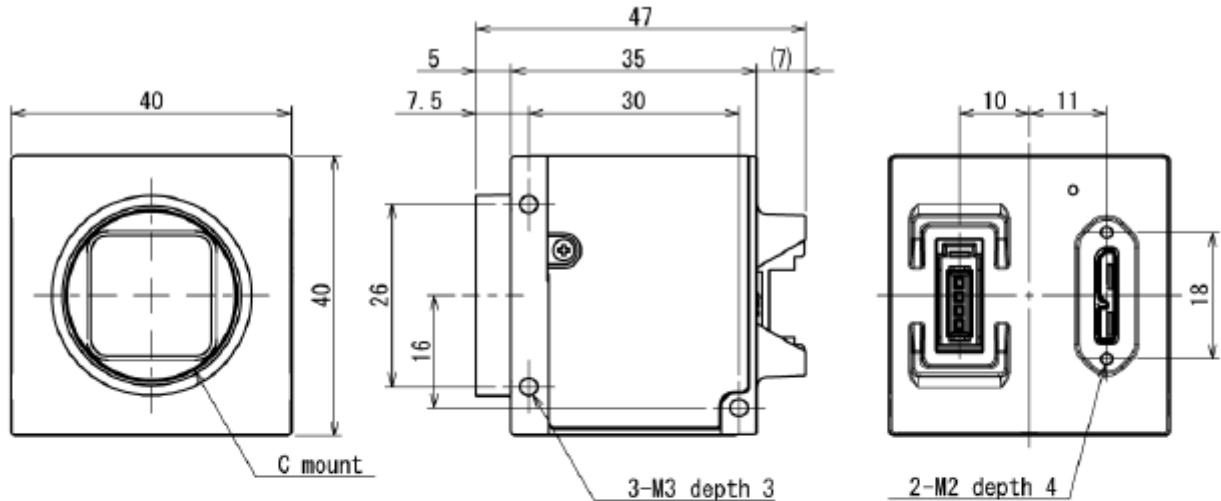
12MP Color and Mono Camera Specifications

Imager	CMOS image sensor
Number of effective pixels (H) x (V)	4072 x 3046
Scanning area (H) x (V) [mm]	7.53 x 5.64 (1/1.7 type)
Pixel size (H) x (V) [μm]	1.85 x 1.85
Color filter	RGB primary color mosaic-on-tip color filter
Scan method	Progressive
IR-cut filter	applicable
Electronic shutter method	Rolling shutter / Global Reset
Aspect ratio	4 : 3
Sensitivity	(TBD)
Minimum illuminance	(TBD) (F1.4, Gain +18dB, Video level 50%)
Gain	MANUAL
Setting range	0 to +18dB (factory setting : 0dB)
Black Level	-25 to 25% (factory setting : 0% [0LSB@8bit])
Gamma	$\gamma=1.0$ to 0.45 (factory setting : $\gamma=1.0$)
White balance	MWB, OPWB (factory setting : MWB)
Effective range	2,500~6,500K
MWB setting format	R/B gain independent setting
OPWB effective area	Full pixel
LUT	Input 10 bit, Output 10 bit
Image Buffer	64M Byte
User Setting Memory	15 channels
User Free Memory	64 Byte
Test Pattern	Black, White, Grey A, Grey B Horizontal ramp waveform, Vertical ramp waveform (factory setting : OFF)
Power supply	DC +5V \pm 5% (from USB connector)
Power consumption(*1)	(TBD)

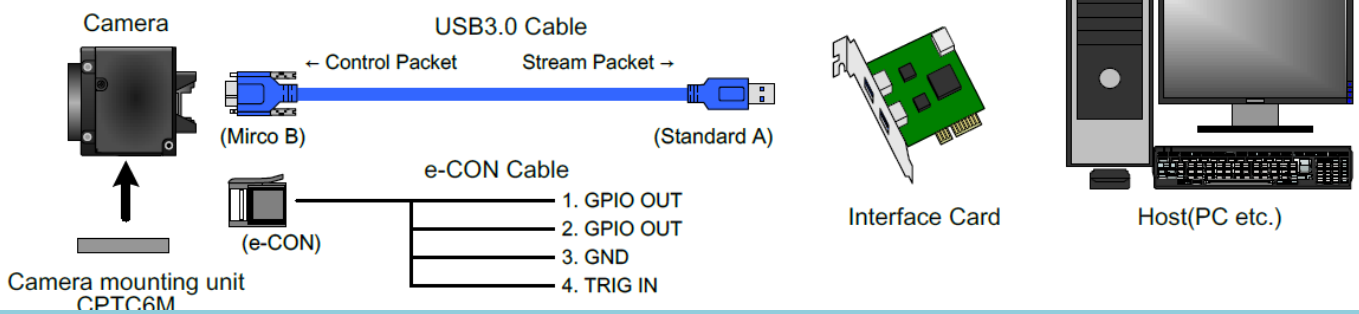
Spectrum Frequency Response



Dimensions



Connection



Al Sabeh

Phone: 714-296-5768, Fax: 858-613-1815



Visions Connection

11409 West Bernardo Court, San Diego, Ca. 92127

Al@visionsconnection.com www.Visionsconnection.com