



41MP 7FPS USB 3.0

3840X2160 8MP 30FPS

Color or Mono Cameras

Key Features

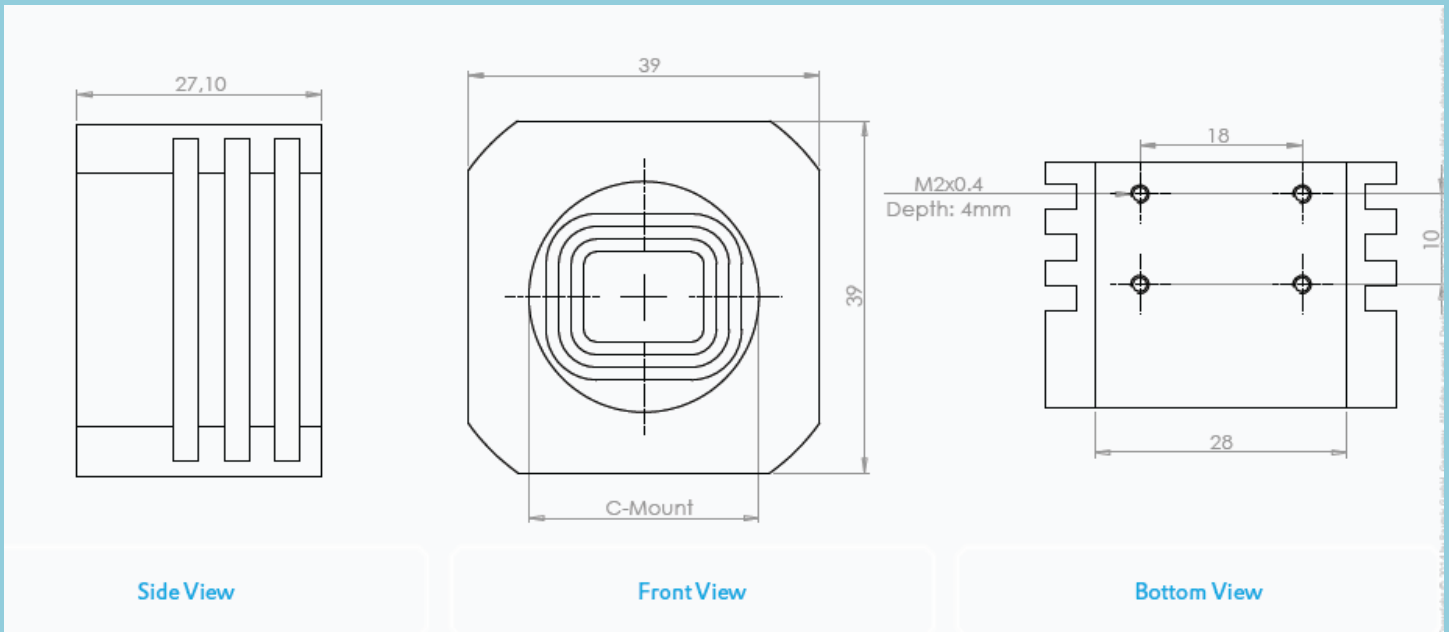
- USB3.0 Interface
- 41MP 7FPS (7708X5352)
- 3840X2160 30FPS
- 2/3" CMOS Sensors 1.1 μ m x 1.1 μ m
- Scanning Area 12.88mm X12.88mm
- Rolling Shutter
- Mono 8bit and Color Bayer 8bit
- C-mount
- SDK/API Windows 7/8 and Linux
- Support MVTec, Halcon, Cognex Visions Pro, Math Lab

Applications

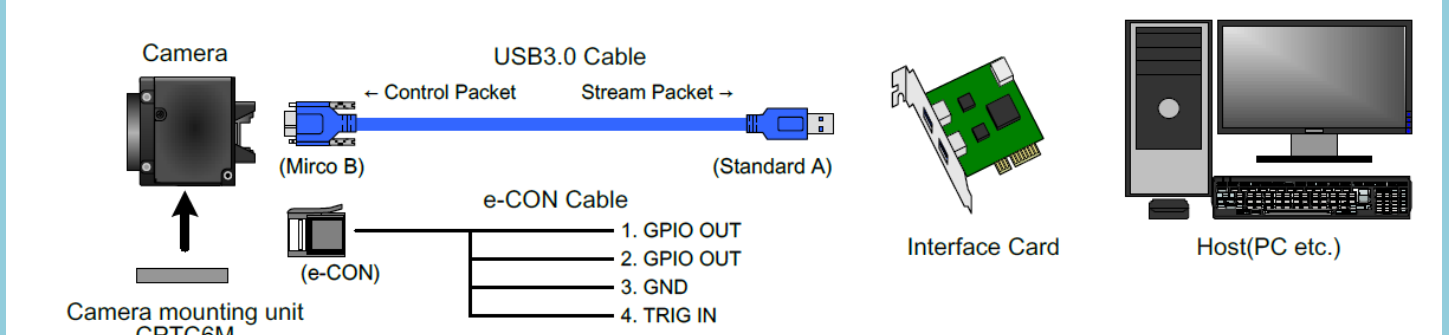
- Pick and Place machines.
- High speed inspection and Automation.
- Wire bonding and Fluid dispensing
- AOI, SPI and 2D 3D inspection
- X-Y Measurements and X-ray inspections



Dimensions



Connection



Al Sabeh

Phone: 714-296-5768, Fax: 858-613-1815



Visions Connection

11409 West Bernardo Court, San Diego, Ca. 92127

Al@visionsconnection.com

www.Visionsconnection.com