



1.4MP CCD USB 3.0

VCUSB3-1400KPA Color

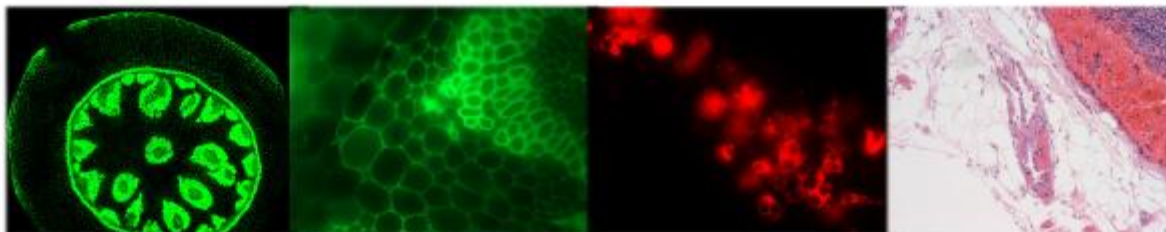
High Resolution
1360(H) x 1024(V)

Key Features

- USB3.0 Interface
- 1.4MP High Resolution
- 2/3" CCD Sensor Sony ICX285AQ
- Max 25FPS (1360 X 1024 pixels)
- 6.45um X 6.45um pixel size
- 12Bit and 8bit RGB
- Dynamic Range 70db
- C-mount
- Operation Temp -10C to 50C

Applications

- AOI, SPI and 2D 3D inspection
- X-Y Measurements and X-ray inspections
- Gel Documentations
- Microscopy
- Pathology



HARDWARE CONFIGURATION

Image Pickup Device	SONY ICX285AQ CCD(Color)
Scan Mode	Progressive
Max. Resolution	1360 x 1024 (Approx. 1,400,000 Pixels)
Sensor Size (Diagonal)	2/3" (Diagonal 11mm)
Pixel Size	6.45 μ m x 6.45 μ m
Imaging Area	10.2mm(H) x 8.3mm(V)
G Sensitivity	1240mv with 1/30s Accumulation
Dynamic Range	70dB
A/D Converter	12-bit Parallel, 8-bit R.G.B to PC
SN Ratio	75dB
Spectral Range	380-650nm (with IR-cut Filter)
Video Format & Frame Rate	25fps @1360 x 1024(Multiple Speed Level)
Binning	1 x 1
Long Exposure	0.12ms~240s, ROI Auto & Manual
White Balance	ROI White Balance/ Manual Temp Tint Adjustment
Color Rendering Technique	Ultra-Fine™ Color Engine
Peak Quantum Efficiency	65%
Readout Noise	4.5 e (r.m.s) @ Gain High /5.6 e (r.m.s) @ Gain Low
Extinction Ratio	1 : 2000 @1ms Exposure Time
Smear	-110dB
Linearity	Better than 99%
Capture/Control API	Native C/C++, C#, DirectShow, Twain and Labview
Recording System	Still Picture and Movie
Cooling System	Natural

OPERATING ENVIRONMENT

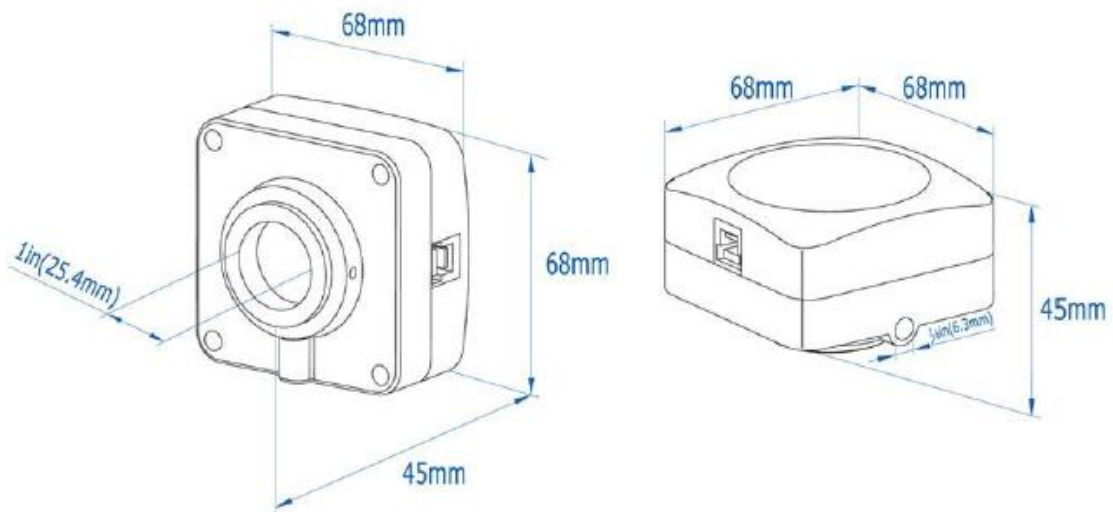
Operating Temperature(in Centidegree)	-10~ 50
Storage Temperature(in Centidegree)	-20~ 60
Operating Humidity	30~80%RH
Storage Humidity	10~60%RH
Power Supply	DC 5V over PC USB Port for Camera

SOFTWARE ENVIRONMENT

Operating System	Microsoft® Windows® XP / Vista / 7 / 8 (32 & 64 bit) OS X (Mac OS X) Linux
PC Requirements	CPU: Equal to Intel Core2 2.8GHz or Higher
	Memory:2GB or More
	USB Port:USB3.0 High-speed Port
	Display:17" or Larger
	CD-ROM



Dimensions Info.



Al Sabeh

Phone: 714-296-5768, Fax: 858-613-1815



Visions Connection

11409 West Bernardo Court, San Diego, Ca. 92127

Al@visionsconnection.com

www.Visionsconnection.com