



3MP CMOS USB 3.0

VCUSB3-3100KPA Color

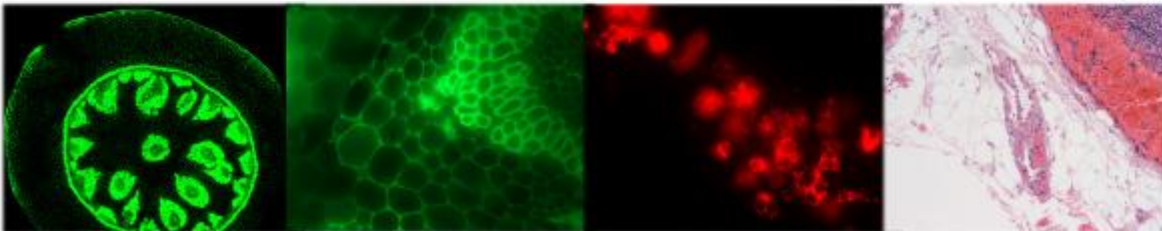
Ultra Resolution
2048(H) x 1534(V)

Key Features

- USB3.0 Interface
- 3MP High Resolution
- 1/3" CMOS Sensor
- Max 27.3FPS (2048x1534 pixels)
- 2.2umX2.2um pixel size
- 12Bit and 8bit RGB
- Dynamic Range 72db
- C-mount
- Operation Temp -10C to 50C

Applications

- AOI, SPI and 2D 3D inspection
- X-Y Measurements and X-ray inspections
- Gel Documentations
- Microscopy
- Pathology



HARDWARE CONFIGURATION

Image Pickup Device	Aptina AR0330 CMOS Sensor(Color)
Scan Mode	Progressive
Max.Resolution	2048 x 1534 (Approx. 3,140,000 Pixels)
Sensor Size (Diagonal)	1/3" (Diagonal 6.0mm)
Pixel Size	2.2 μ m x 2.2 μ m
Imaging Area	4.505mm(H) x 3.375mm(V)
Dynamic Range	72.4dB
A/D Converter	12-bit on Board, 8-bit R-G-B Processed
SN Ratio	39dB
Spectral Range	380-650nm (with IR-cut Filter)
Responsivity	2.0V/lux-sec
Video Format & Max.Frame Rate	27.3fps @2048 x 1534, 53.3fps @1024 x 770 (Multiple Speed Level)
Binning	1 x 1, 2 x 2
Output Rate	98MBytes/s
Exposure	0.1ms~2000ms, ROI Auto & Manual
White Balance	ROI White Balance/ Manual Temp Tint Adjustment
Color Rendering Technique	Ultra-Fine™ Color Engine
Peak Quantum Efficiency	N/A
Readout Noise	N/A
Extinction Ratio	N/A
Smear	N/A
Capture/Control API	Native C/C++, C#, DirectShow, Twain and Labview
Recording System	Still Picture and Movie
Cooling System*	Natural

OPERATING ENVIRONMENT

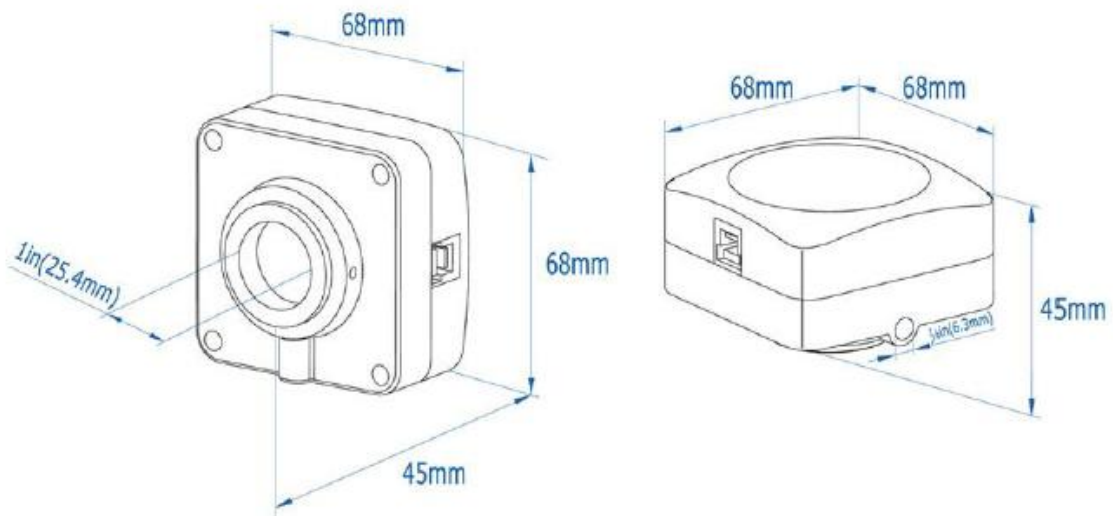
Operating Temperature(in Centidegree)	-10~ 50
Storage Temperature(in Centidegree)	-20~ 60
Operating Humidity	30~80%RH
Storage Humidity	10~60%RH
Power Supply	DC 5V over PC USB Port

SOFTWARE ENVIRONMENT

Operating System	Microsoft® Windows® XP / Vista / 7 / 8 (32 & 64 bit)
Requirements	CPU: Equal to Intel Core2 2.8GHz or Higher
	Memory: 2GB or More
	USB Port: USB3.0 High-speed Port
	Display: 17" or Larger
	CD-ROM



Dimensions Info.



Al Sabeh

Phone: 714-296-5768, Fax: 858-613-1815



Visions Connection

11409 West Bernardo Court, San Diego, Ca. 92127

Al@visionsconnection.com

www.Visionsconnection.com