



5MP CMOS USB 3.0

VCUSB3-5100KPA Color

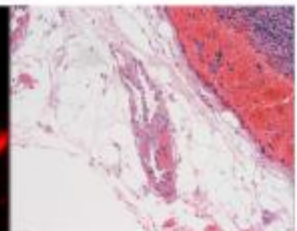
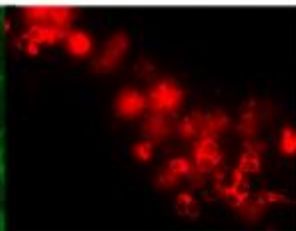
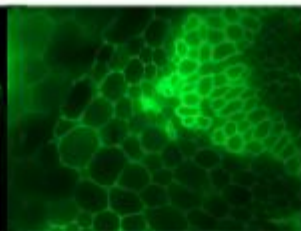
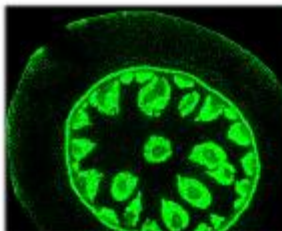
Ultra Resolution
2560(H) x 1922(V)

Key Features

- USB3.0 Interface
- 5MP High Resolution
- 1/2.5" CMOS Sensor
- Max 14.2FPS (2560X1922 pixels)
- 2.2umX2.2um pixel size
- 12Bit and 8bit RGB
- Dynamic Range 67.74db
- C-mount
- Operation Temp -10C to 50C

Applications

- AOI, SPI and 2D 3D inspection
- X-Y Measurements and X-ray inspections
- Gel Documentations
- Microscopy
- Pathology



HARDWARE CONFIGURATION

Image Pickup Device	Aptina MT9P006 CMOS Sensor(Color)
Scan Mode	Progressive
Max.Resolution	2560 x1922 (Approx. 5,000,000 Pixels)
Sensor Size (Diagonal)	1/2.5" (5.7mm(H) x 4.28mm(V), Diagonal 7.13mm)
Pixel Size	2.2 μ m x 2.2 μ m
Imaging Area	5.632mm(H) x 4.228mm(V)
Dynamic Range	67.74dB
A/D Converter	12-bit on Board, 8-bit R-G-B Processed
SN Ratio	38.5dB
Spectral Range	380-650nm (with IR-cut Filter)
Responsivity	1.76V/lux-sec(550nm)
Video Format & Max.Frame Rate	14.2fps @2560 x 1922, 38.3fps @1280 x 960, 101.2fps @640 X 480
Binning	1 x 1, 2 x 2, 4 x 4
Output Rate	96MBytes/s
Exposure	0.05ms~2s, ROI Auto & Manual
White Balance	ROI White Balance/ Manual Temp Tint Adjustment
Color Rendering Technique	Ultra-Fine™ Color Engine
Peak Quantum Efficiency	N/A
Readout Noise	N/A
Extinction Ratio	N/A
Smear	N/A
Capture/Control API	Native C/C++, C#, DirectShow, Twain and Labview
Recording System	Still Picture and Movie
Cooling System*	Natural

OPERATING ENVIRONMENT

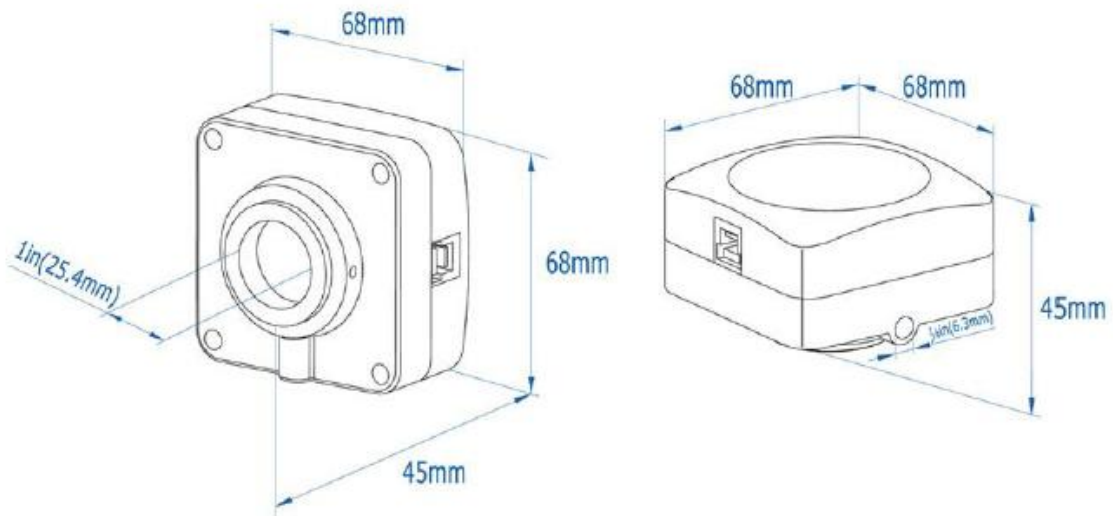
Operating Temperature(in Centidegree)	-10~ 50
Storage Temperature(in Centidegree)	-20~ 60
Operating Humidity	30~80%RH
Storage Humidity	10~60%RH
Power Supply	DC 5V over PC USB Port

SOFTWARE ENVIRONMENT

Operating System	Microsoft® Windows® XP / Vista / 7 / 8 (32 & 64 bit)
Requirements	CPU: Equal to Intel Core2 2.8GHz or Higher
	Memory: 2GB or More
	USB Port: USB3.0 High-speed Port
	Display: 17" or Larger
	CD-ROM



Dimensions Info.



Al Sabeh

Phone: 714-296-5768, Fax: 858-613-1815



Visions Connection

11409 West Bernardo Court, San Diego, Ca. 92127

Al@visionsconnection.com

www.Visionsconnection.com