



5MP CCD USB 3.0

VCUSB3-5200KPA Color

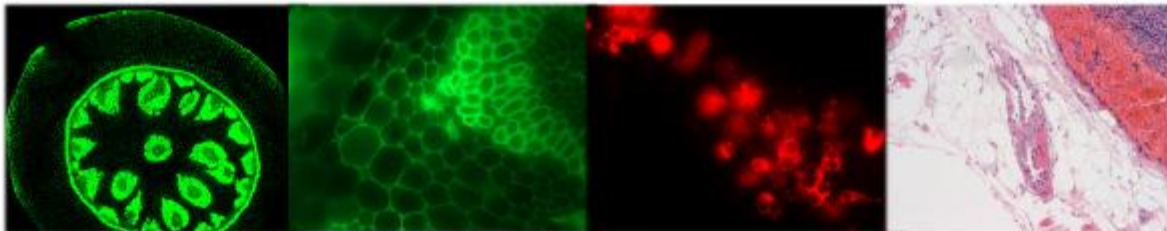
Ultra Resolution
2448(H) x 2050(V)

Key Features

- USB3.0 Interface
- 5MP High Resolution
- 2/3" CCD Sensor Sony ICX655AQ
- Max 11FPS (2448 X 2050 pixels)
- 3.45um X 3.45um pixel size
- 14Bit and 8bit RGB
- Dynamic Range 72db
- C-mount
- Operation Temp -10C to 50C

Applications

- AOI, SPI and 2D 3D inspection
- X-Y Measurements and X-ray inspections
- Gel Documentations
- Microscopy
- Pathology



HARDWARE CONFIGURATION

Image Pickup Device	SONY ICX655AQ CCD(Color)
Scan Mode	Progressive
Max. Resolution	2448 x 2050 (Approx. 5,018,400 Pixels)
Sensor Size (Diagonal)	2/3" (Diagonal 11.016mm)
Pixel Size	3.45µm x 3.45µm
Imaging Area	9.93mm(H) x 8.70mm(V)
G Sensitivity	420mv with 1/30s Accumulation
Dynamic Range	70dB
A/D Converter	14-bit Parallel, 8-bit R.G.B to PC
SN Ratio	72dB
Spectral Range	380-650nm (with IR-cut Filter)
Video Format & Frame Rate	11fps @2448 x 2050 (Multiple Speed Level)
Binning	1 x 1
Exposure	0.22ms~60s, ROI Auto & Manual
White Balance	ROI White Balance/ Manual Temp Tint Adjustment
Color Rendering Technique	Ultra-Fine™ Color Engine
Peak Quantum Efficiency	N/A
Readout Noise	N/A
Extinction Ratio	N/A
Smear	-95dB
Capture/Control API	Native C/C++, C#, DirectShow, Twain and Labview
Recording System	Still Picture and Movie
Cooling System*	Natural

OPERATING ENVIRONMENT

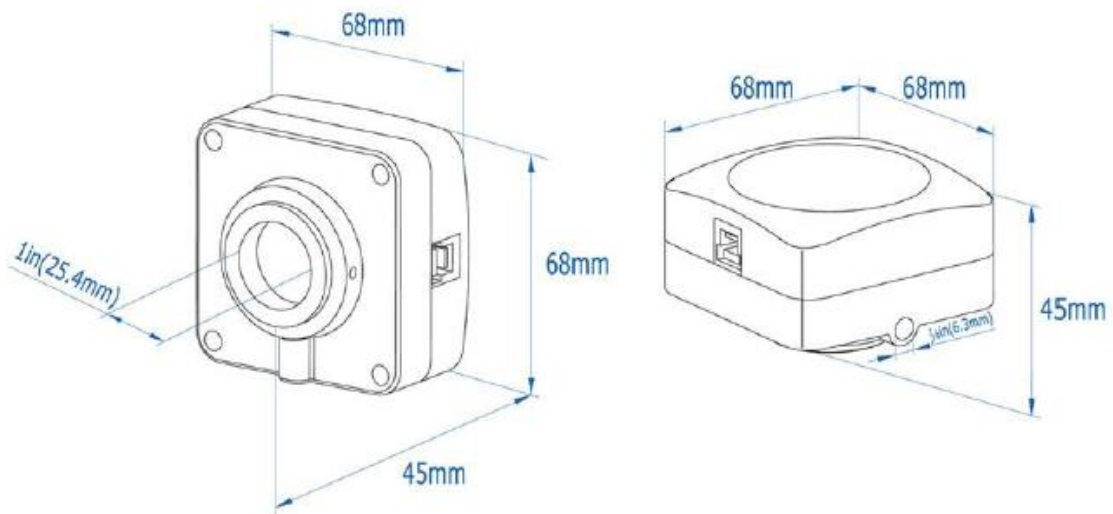
Operating Temperature(in Centidegree)	-10~ 50
Storage Temperature(in Centidegree)	-20~ 60
Operating Humidity	30~80%RH
Storage Humidity	10~60%RH
Power Supply	DC 5V over PC USB Port for Camera

SOFTWARE ENVIRONMENT

Operating System	Microsoft® Windows® XP / Vista / 7 / 8 (32 & 64 bit) OS X (Mac OS X) Linux
PC Requirements	CPU: Equal to Intel Core2 2.8GHz or Higher
	Memory:2GB or More
	USB Port:USB3.0 High-speed Port
	Display:17" or Larger
	CD-ROM



Dimensions Info.



Al Sabeh

Phone: 714-296-5768, Fax: 858-613-1815



Visions Connection

11409 West Bernardo Court, San Diego, Ca. 92127

Al@visionsconnection.com

www.Visionsconnection.com