



8.5MP CMOS USB 3.0

VCUSB3-8500KPA Color

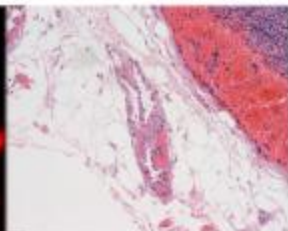
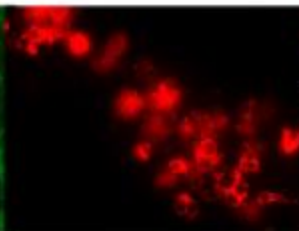
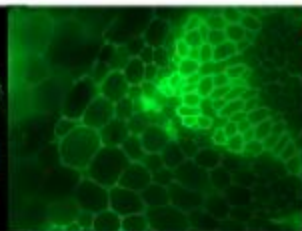
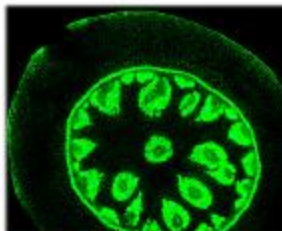
Ultra Resolution
3328(H) x 2548(V)

Key Features

- USB3.0 Interface
- 8.5MP High Resolution
- 1/2.3" CMOS Sensor
- Max 8.3FPS (3328X2548 pixels)
- 1.67umX1.67um pixel size
- 12Bit and 8bit RGB
- Dynamic Range 72db
- C-mount
- Operation Temp -10C to 50C

Applications

- AOI, SPI and 2D 3D inspection
- X-Y Measurements and X-ray inspections
- Gel Documentations
- Microscopy
- Pathology



HARDWARE CONFIGURATION

Image Pickup Device	Aptina CMOS Sensor(Color)
Scan Mode	Progressive
Max.Resolution	3328 x 2548 (Approx. 8,500,000 Pixels)
Sensor Size (Diagonal)	1/2.3" (6.44mm(H) x 4.616mm(V), Diagonal 7.923mm)
Pixel Size	1.67 μ m x 1.67 μ m
Imaging Area	5.557mm(H) x 4.255mm(V)
Dynamic Range	72.4dB
A/D Converter	12-bit on Board, 8-bit R-G-B Processed
SN Ratio	34dB
Spectral Range	380-650nm (with IR-cut Filter)
Responsivity	0.31V/lux-sec(550nm)
Video Format & Max.Frame Rate	8.3fps @3328 x 2548, 26.2fps @1664 x 1272 (Multiple Speed Level)
Binning	1 x 1, 2 x 2
Output Rate	80MBytes/s
Exposure	0.1ms~2s, ROI Auto & Manual
White Balance	ROI White Balance/ Manual Temp Tint Adjustment
Color Rendering Technique	Ultra-Fine™ Color Engine
Peak Quantum Efficiency	N/A
Readout Noise	N/A
Extinction Ratio	N/A
Smear	N/A
Capture/Control API	Native C/C++, C#, DirectShow, Twain and Labview
Recording System	Still Picture and Movie
Cooling System*	Natural

OPERATING ENVIRONMENT

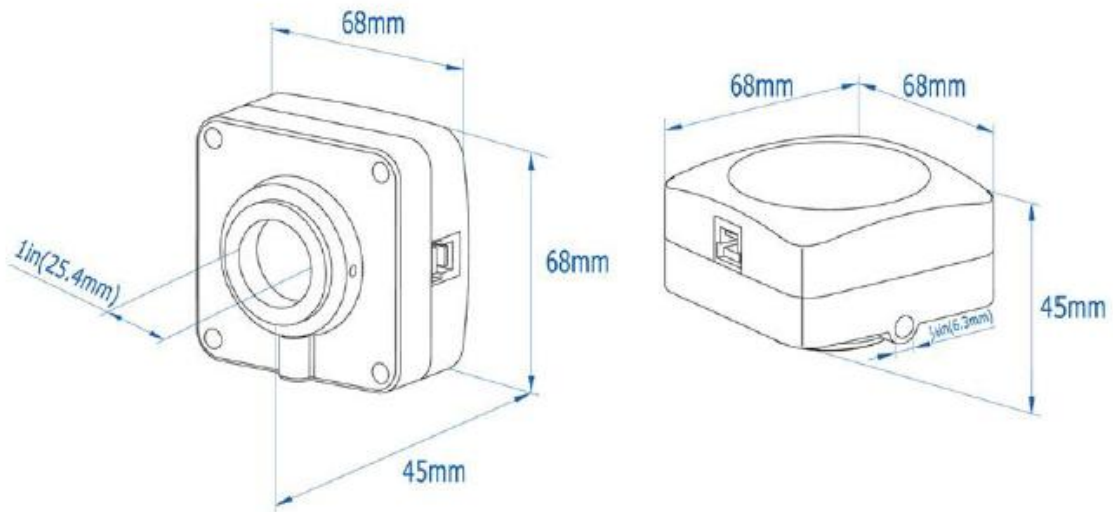
Operating Temperature(in Centidegree)	-10~ 50
Storage Temperature(in Centidegree)	-20~ 60
Operating Humidity	30~80%RH
Storage Humidity	10~60%RH
Power Supply	DC 5V over PC USB Port

SOFTWARE ENVIRONMENT

Operating System	Microsoft® Windows® XP / Vista / 7 / 8 (32 & 64 bit)
Requirements	CPU: Equal to Intel Core2 2.8GHz or Higher
	Memory: 2GB or More
	USB Port: USB3.0 High-speed Port
	Display: 17" or Larger
	CD-ROM



Dimensions Info.



Al Sabeh

Phone: 714-296-5768, Fax: 858-613-1815



Visions Connection

11409 West Bernardo Court, San Diego, Ca. 92127

Al@visionsconnection.com

www.Visionsconnection.com