

USB2.0 High Resolution Digital Camera

USB –5MC Color

USB-5MB B/W

5 mega pixel color and B/W USB



Main Features

- Auto / manual white balance. Can select operation area and set target color.
- Auto / manual exposure. Can select operation area and set target brightness.
- g table/ value correction.
- Support binning preview.
- Can select any capture area and location.
- automatic, continuous white balance, continuous exposure to lighting condition change.
- Full screen and scaling capabilities.
- Support Windows XP/Vista/7 32 bit
- SDK available in C/C++.
- Viewing and capture software
- One year warranty
- Optional DMP measuring software

Frame Rate

USB-5MC

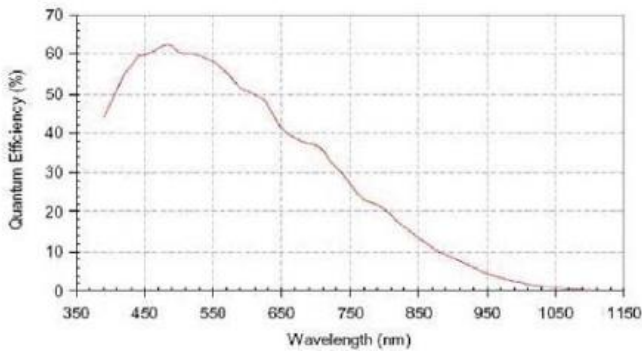
Resolution	320x240	640x480	752x480	768x576	800x600
fps	243.00	98.00	89.00	72.00	67.00
Resolution	1024x768	1280x1024	1600x1200	2048x1536	2592x1944
fps	45.00	28.00	18.00	11.00	7.00

USB-5MB

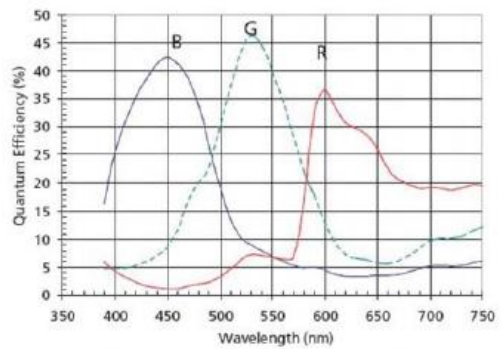
Resolution	320x240	640x480	752x480	768x576	800x600
fps	241.00	93.00	84.00	68.00	63.00
Resolution	1024x768	1280x1024	1600x1200	2048x1536	2592x1944
fps	41.00	25.00	17.00	11.00	7.00

Specification:

Item		
Color / BW	BW	Color
Resolution	2592 x 1944	
Pixel Size	2.2 um x 2.2 um	
Dynamatic Range	70.1 dB	
Sensitivity	1.4V / lux. sec	
Sensor Size	1/2.5	
Scan	Progressive	
Shutter	Rolling	
External Control	One trigger input and one glash trigger output	
Dimension	1.77 x 1.77 x 3.27 inch	
Lens Mount	C mount	
Power Supply	USB port direct supply	



USB-5MB



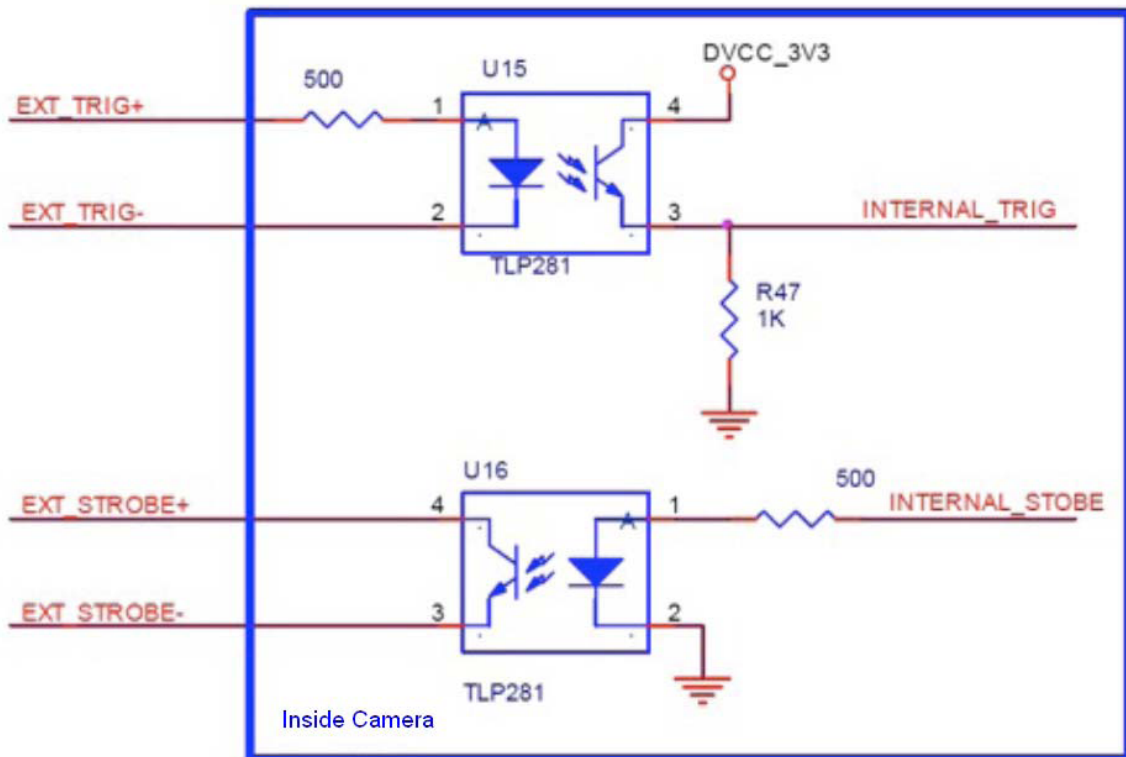
USB-5MC

Camera connector:

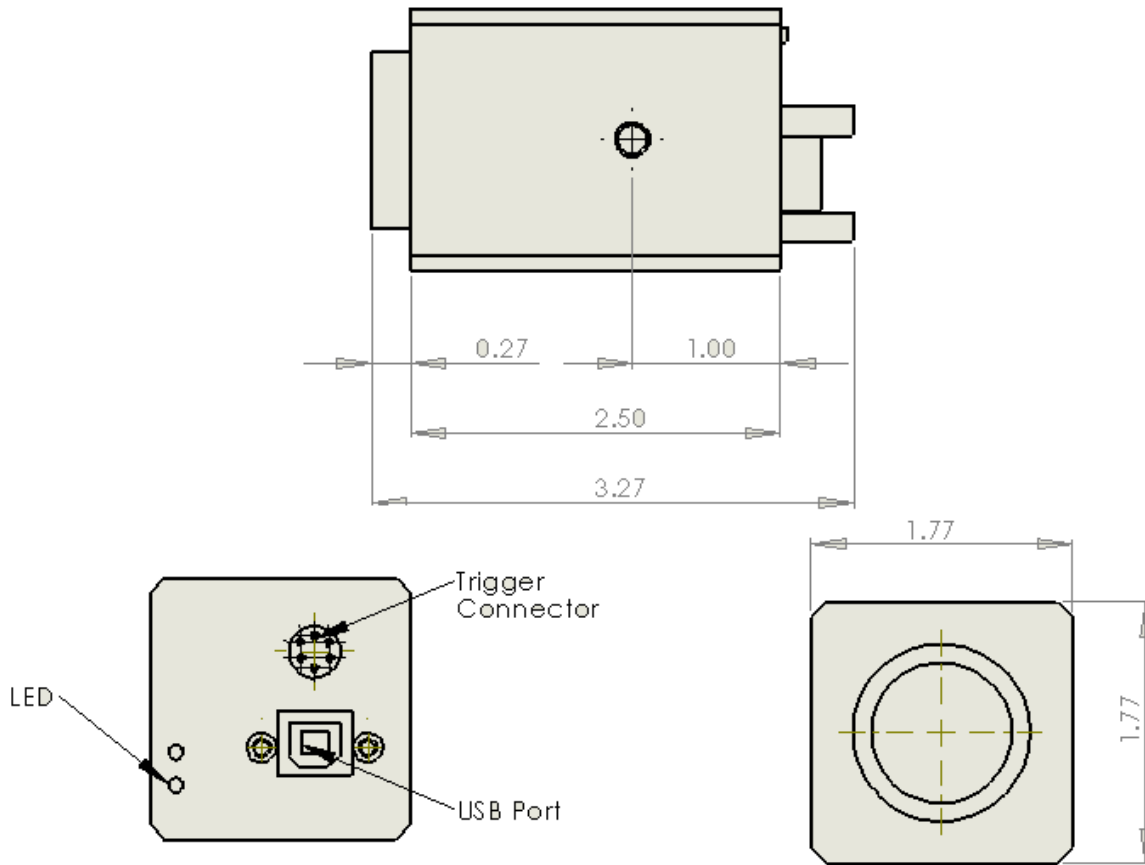


Pin	Signal
1	GND
2	External +5V
3	Flash Output + (EXT_TRIG +)
4	Flash Output - (EXT_TRIG -)
5	Trigger Input - (EXT_STROBE -)
6	Trigger Input + (EXT_STROBE +)

Control Circuit:



Dimension



Contact: Al Sabeh

Phone: 714-296-5768, Fax: 858-613-1815

E-mail: al@visionsconnection.com



Visions Connection

11409 West Bernardo Court, San Diego, Ca. 92127