



1.4MP UV Camera Link

VCFC-1450UVCL

High Resolution
1392(H) x 1040(V)

Key Features

- UV 1.4MP camera
- 1/2" CCD Sony Sensor 4.5umX4.5um pixel size
- 1.4MP resolution 1392X1040 Pixels
- Progressive Scan Asynchronies Reset
- Camera link 15FPS Max output
- 8bit 10bit per pixel
- RS232 Via camera link cable
- ON Screen Display to control the camera settings
- C-mount

Applications

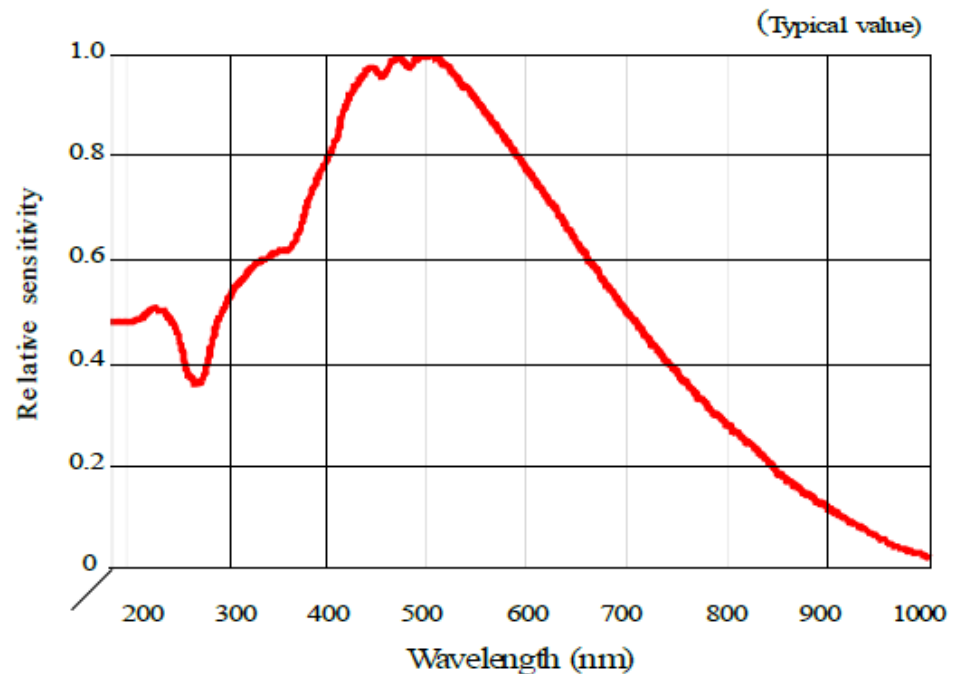
- Bio Medical
- Florescence
- Gel Documentations
- DNA
- Microscopy
- Pathology



Specifications

Imager device	Progressive scanning, interline transfer CCD 1/2 inch in size Unit cell size: $4.65 \mu\text{m(H)} \times 4.65 \mu\text{m(V)}$
Effective pixels	1392(H) \times 1040(V) square grid pattern
Read out scanning	Horizontal scanning frequency: $f_H = 16.0 \text{ kHz}$, Vertical scanning frequency: $f_V = 15 \text{ Hz}$, Pixel clock frequency: $f_{CLK} = 28.636 \text{ MHz}$
Min. illuminance	1.0 Lx, F 1.4
S / N	Approx. 50dB
External sync signal	HD/VD (2~5Vp-p/220 Ω terminating) Automatic change EXT.fH = 16.0kHz, EXT.fV = fH / 1068Hz (15.0Hz)
Video output	Progressive scanning: 15 frames/sec Complied with Camera Link (Base Configuration) 8 or 10bit resolution (36MHz \times 2 \times 8 or 10bit output)
Electronic shutter	1/16000sec. ~1/15 sec. (No shutter) ~10 sec.
Asynchronous shutter	Preset shutter / Pulse width control / Double pulse
Scanning mode	Standard (all pixels) / Partial (center part)
External control	Serial interface via Camera Link cable
Lens mount	C mount (flange back fixed)
Power supply	12V DC \pm 10%, 500mA (max.)
Outside dimension	46 (W) \times 42 (H) \times 128 (L) (mm) (Connector and tripod excluded)
Weight	Approx. 200g

Spectral sensitivity



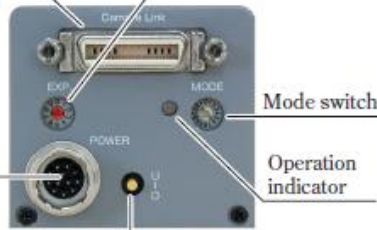
Camera Link connector
(3M/MDR-26FEMALE)

Shutter switch

Shutter speed

Shutter speed is set by setting dial reading(0 to 9) of the shutter switch or is remotely set by communication command via Camera Link cable.

CAMERA connector



UP/DOWN switch

Operation mode
Basic function
Auxiliary function
Configuration items

Camera connector

(HRS HR10A-10R-12PB)

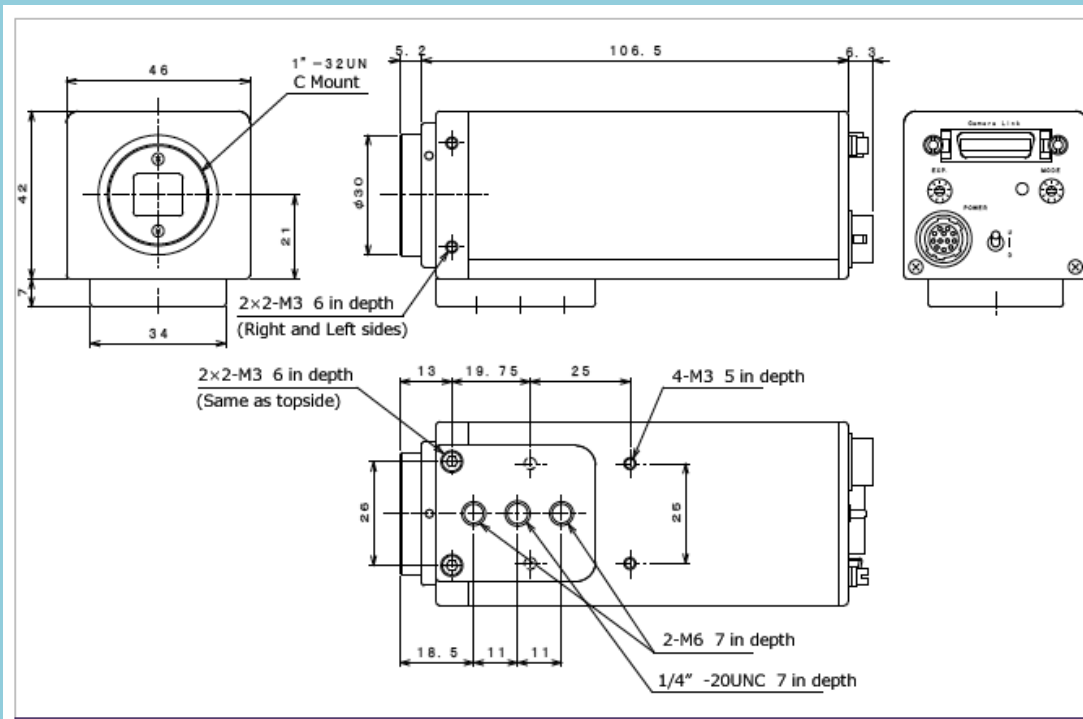


Pin No.	Signal name	Contents	I/O
1	GND	Power ground	
2	+12VDC	+12V Power input	(In)
3	(AGND)	Analog signal ground	
4	NC	Non-contact	
5	GND	Signal ground	
6	Vinit 1	Ext.trigger input	In
7	Ext-VD	Ext.VD input	In
8	GND	Signal ground	
9	Ext-HD	Ext.HD input	In
10	GND	Signal ground	
11	STRB	Strobe output	Out
12	GND	Signal ground	

SW	High-speed shutter		Low-speed shutter
	Continuous	Asynchronous	Continuous
0	No shutter (Continuous) (1/15sec) (1068H-1V)		
1	1/16000 sec	(1H)	1/7.5 sec (2V)
2	1/5300 sec	(3H)	1/5.0 sec (3V)
3	1/2000 sec	(8H)	1/3.7 sec (4V)
4	1/1000 sec	(16H)	1/3.0 sec (5V)
5	1/500 sec	(32H)	1/2.5 sec (6V)
6	1/250 sec	(64H)	1/2.1 sec (7V)
7	1/120 sec	(128H)	1/1.9 sec (8V)
8	1/60 sec	(266H)	1/1.7 sec (9V)
9	1/30 sec (533H)	Set on pulse width	1/1.5 sec (10V)

Operation mode

Setting items of operation mode are classified into four main groups as group 1 (basic function), group 2 (auxiliary function), group C (auxiliary function), and group D (configuration items) Use the Mode switch and the UP/DOWN switch to change the set contents.



Al Sabeh

Phone: 714-296-5768, Fax: 858-613-1815



Visions Connection

11409 West Bernardo Court, San Diego, Ca. 92127

Al@visionsconnection.com

www.Visionsconnection.com